

# Technical data sheet

## Terminal strip 1.5-6 mm<sup>2</sup>, junction box, T series, X series

Art.-Nr. 2016185



Terminals and screws made of steel, galvanised and transparent-chromated, nominal cross-section 1.5 ÷ 6 mm<sup>2</sup>, rated voltage 400 V, five-pole, with socket terminals, max. connectable cross-sections per terminal: 3x6 mm<sup>2</sup>, 4x4 mm<sup>2</sup> or 6x2.5 mm<sup>2</sup>.



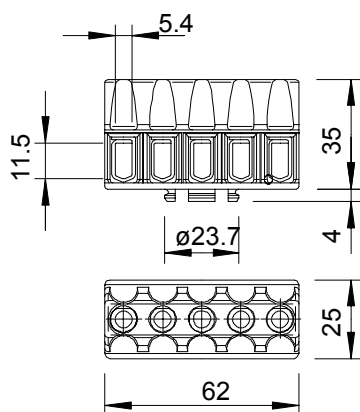
**PA** Polyamide

Additional product text, instruction System accessories for B9/TM; T60 junction box

### Master data

Item no.	2016185
Type	KL-T 02-06
Description 1	Terminal strip
Dimension	6mm <sup>2</sup>
Colour	Light grey
Material	Polyamide
Material symbol	PA
Smallest sales unit	10,00 Piece
Weight	4,38 kg/100 pc.

### Technical data



Length	62,00 mm
Width	25,00 mm
Height	35,00 mm
Closing plate required	<input type="checkbox"/>
Connectable conductor cross-section, single-wire	2,50 - 6,00 mm <sup>2</sup>
Connection position	Side
No. of terminals	5,00
Number of screwless terminals per pole	1,00
Version of electrical connection 1	Screw connection
Explosion-tested version	<input type="checkbox"/>
Insulation material	Thermoplast
Mounting type	Other
Nominal cross section	1,50 - 6,00 mm <sup>2</sup>
Nominal voltage	400,00 V
Nominal current	41,00 A
Pole number	5,00
Cross-section	Max. connectable cross-sections per terminal: 3 x 6 mm <sup>2</sup> , 4 x 4 mm <sup>2</sup> or 6 x 2.5 mm <sup>2</sup> mm <sup>2</sup>
Transparent	<input type="checkbox"/>